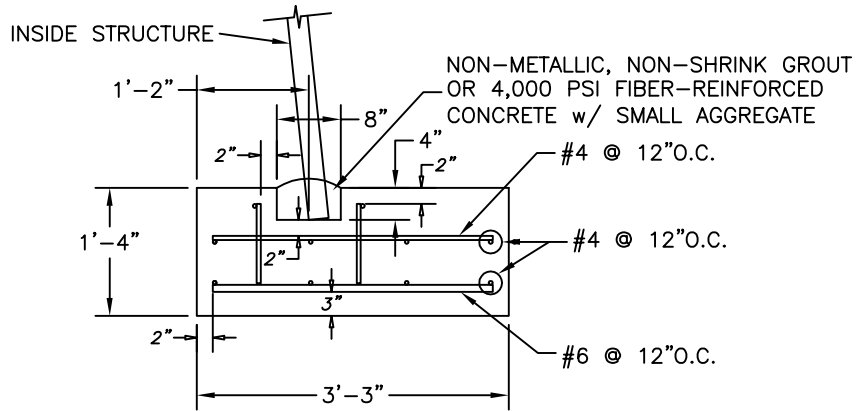
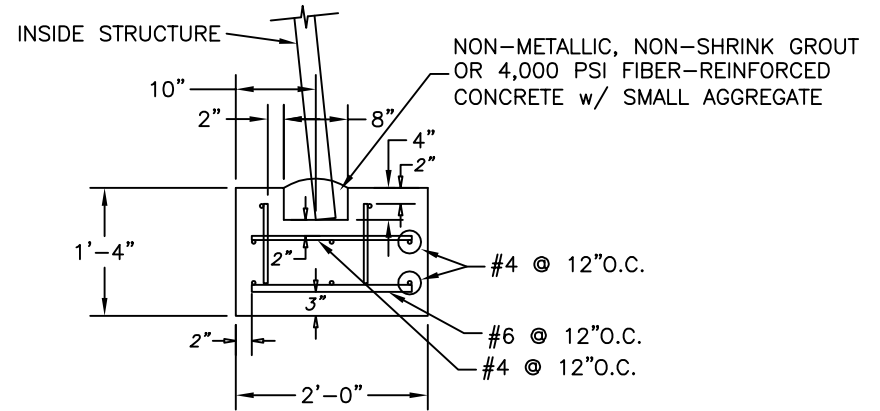


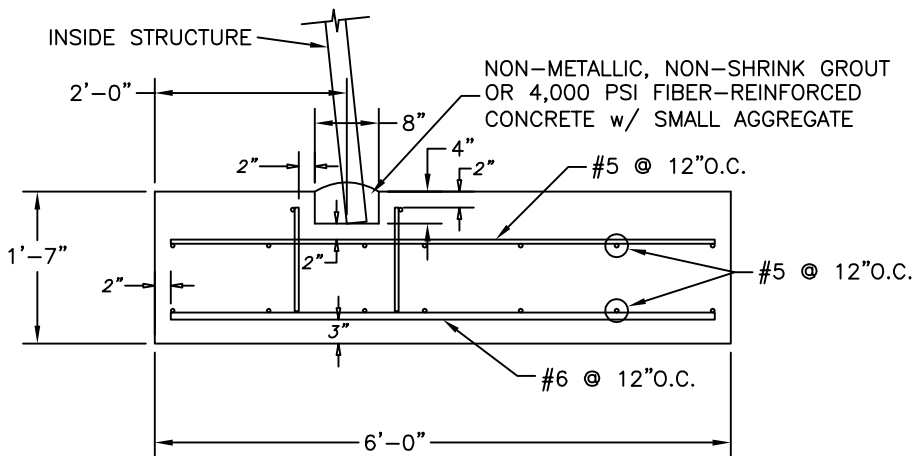
Allowable Bearing Capacity = 2,000 psf
Height of Cover = 1.4 to 2.5 ft



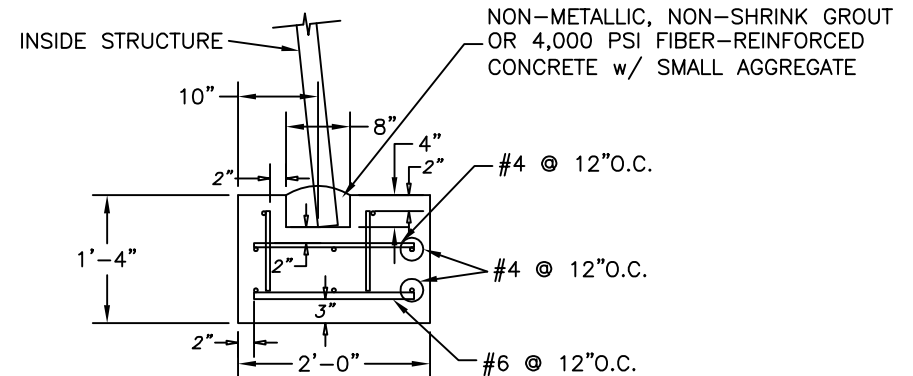
Allowable Bearing Capacity = 4,000 psf
Height of Cover = 1.4 to 2.5 ft



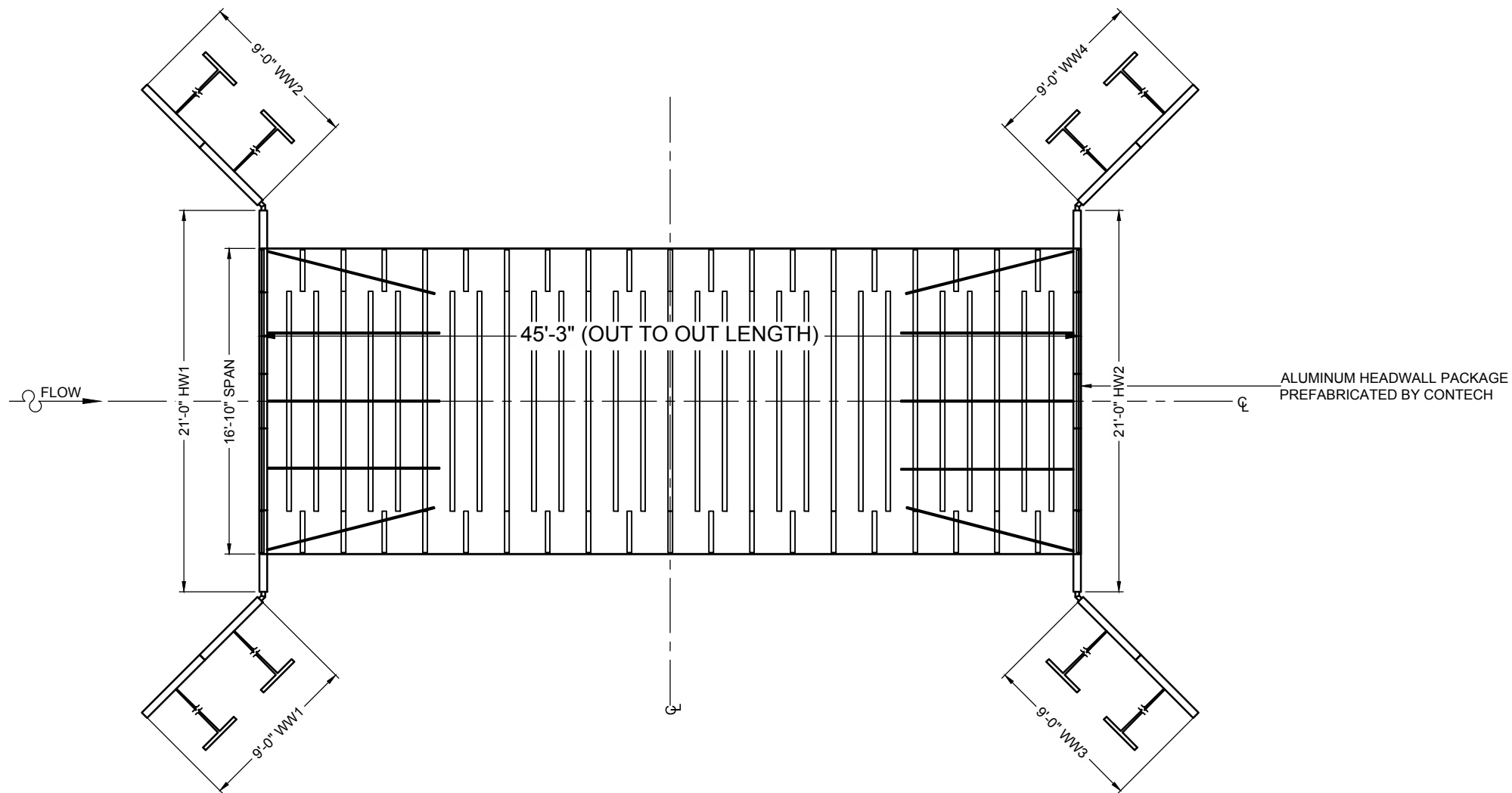
Allowable Bearing Capacity = 2,000 psf
Height of Cover = 2.5 to 5.0 ft



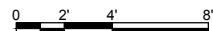
Allowable Bearing Capacity = 4,000 psf
Height of Cover = 2.5 to 5.0 ft



- NOTES:**
- 1.) SCOUR POTENTIAL HAS NOT BEEN ADDRESSED IN THESE DESIGNS
 - 2.) THE ALLOWABLE BEARING CAPACITY SHALL BE FIELD VERIFIED PRIOR TO CONSTRUCTION BY A COMPETENT GEOTECHNICAL ENGINEER.



BRIDGE PLAN



PRELIMINARY
NOT FOR CONSTRUCTION

C:\USER\BCT\WARD\APP\DATA\LOCAL\ITEM\PDYOB202387.DWG 2/12/2014 9:25 AM

The design and information shown on this drawing is provided as a service to the project owner, engineer and contractor by Contech Engineered Solutions LLC ("Contech"). Neither this drawing, nor any part thereof, may be used, reproduced or modified in any manner without the prior written consent of Contech. Failure to comply is done at the user's own risk and Contech expressly disclaims any liability or responsibility for such use.

If discrepancies between the supplied information upon which the drawing is based and actual field conditions are encountered as site work progresses, these discrepancies must be reported to Contech immediately for re-evaluation of the design. Contech accepts no liability for designs based on missing, incomplete or inaccurate information supplied by others.

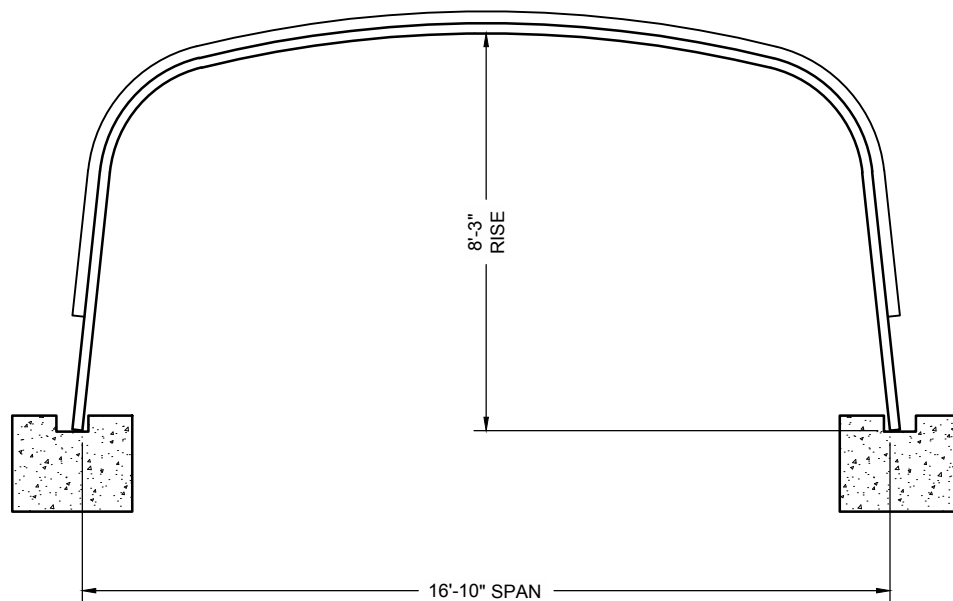
CONTECH
ENGINEERED SOLUTIONS LLC
www.ContechES.com
9025 Centre Pointe Dr., Suite 400, West Chester, OH 45069
800-338-1122 513-645-7000 513-645-7993 FAX

CONTECH
STRUCTURAL PLATE

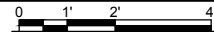
DYOB
DRAWING

496182 - Livingston Township Building G UST Cover
Aluminum Box Culvert
16'-10" Span x 8'-3" Rise (Structure Number 39)
Ridgeland, Mississippi

PROJECT No.: 202387	SEQ. No.: ----	DATE: 2/12/2014
DESIGNED: DYOB	DRAWN: DYOB	
CHECKED: DYOB	APPROVED: DYOB	
SHEET NO.: 1 OF 5		



CROSS SECTION



PRELIMINARY
NOT FOR CONSTRUCTION

C:\USER\BCT\WARD\LOCAL\TEMP\DYOB202387.DWG 2/12/2014 9:25 AM

The design and information shown on this drawing is provided as a service to the project owner, engineer and contractor by Contech Engineered Solutions LLC ("Contech"). Neither this drawing, nor any part thereof, may be used, reproduced or modified in any manner without the prior written consent of Contech. Failure to comply is done at the user's own risk and Contech expressly disclaims any liability or responsibility for such use.

If discrepancies between the supplied information upon which the drawing is based and actual field conditions are encountered as site work progresses, these discrepancies must be reported to Contech immediately for re-evaluation of the design. Contech accepts no liability for designs based on missing, incomplete or inaccurate information supplied by others.

CONTECH
ENGINEERED SOLUTIONS LLC
www.ContechES.com

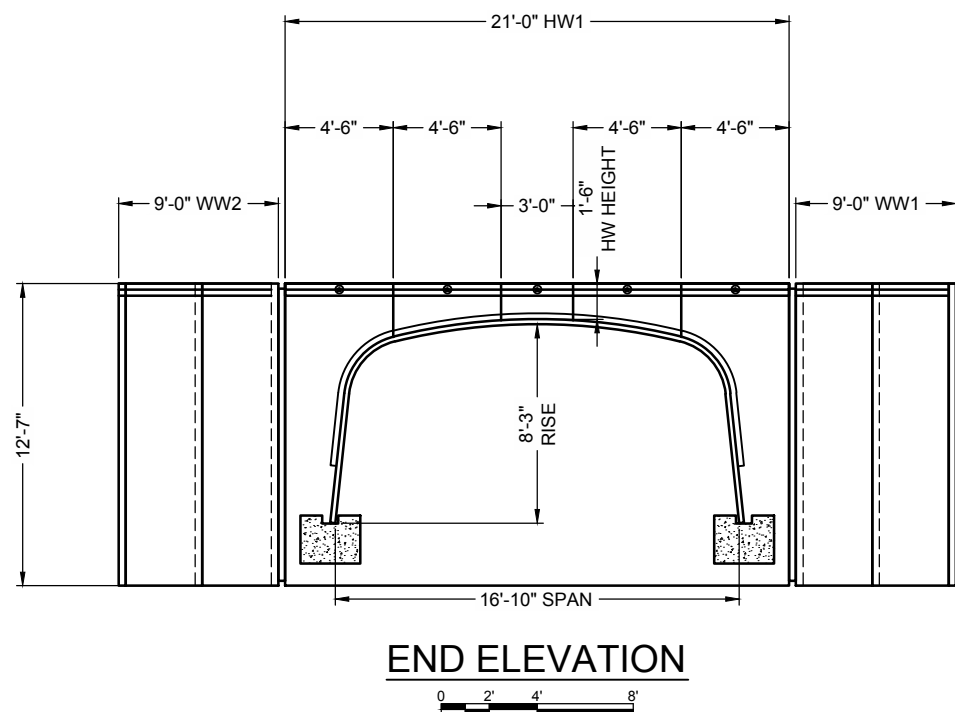
9025 Centre Pointe Dr., Suite 400, West Chester, OH 45069
800-338-1122 513-645-7000 513-645-7993 FAX

CONTECH
STRUCTURAL PLATE

DYOB
DRAWING

496182 - Livingston Township Building G UST Cover
Aluminum Box Culvert
16'-10" Span x 8'-3" Rise (Structure Number 39)
Ridgeland, Mississippi

PROJECT No.: 202387	SEQ. No.: ----	DATE: 2/12/2014
DESIGNED: DYOB	DRAWN: DYOB	
CHECKED: DYOB	APPROVED: DYOB	
SHEET NO.: 2 OF 5		



END ELEVATION

PRELIMINARY
NOT FOR CONSTRUCTION

C:\USER\BCT\DRAWING\LOCAL\TEMP\DYOB202387.DWG 2/12/2014 9:25 AM

The design and information shown on this drawing is provided as a service to the project owner, engineer and contractor by Contech Engineered Solutions LLC ("Contech"). Neither this drawing, nor any part thereof, may be used, reproduced or modified in any manner without the prior written consent of Contech. Failure to comply is done at the user's own risk and Contech expressly disclaims any liability or responsibility for such use.

If discrepancies between the supplied information upon which the drawing is based and actual field conditions are encountered as site work progresses, these discrepancies must be reported to Contech immediately for re-evaluation of the design. Contech accepts no liability for designs based on missing, incomplete or inaccurate information supplied by others.

CONTECH
ENGINEERED SOLUTIONS LLC
www.ContechES.com

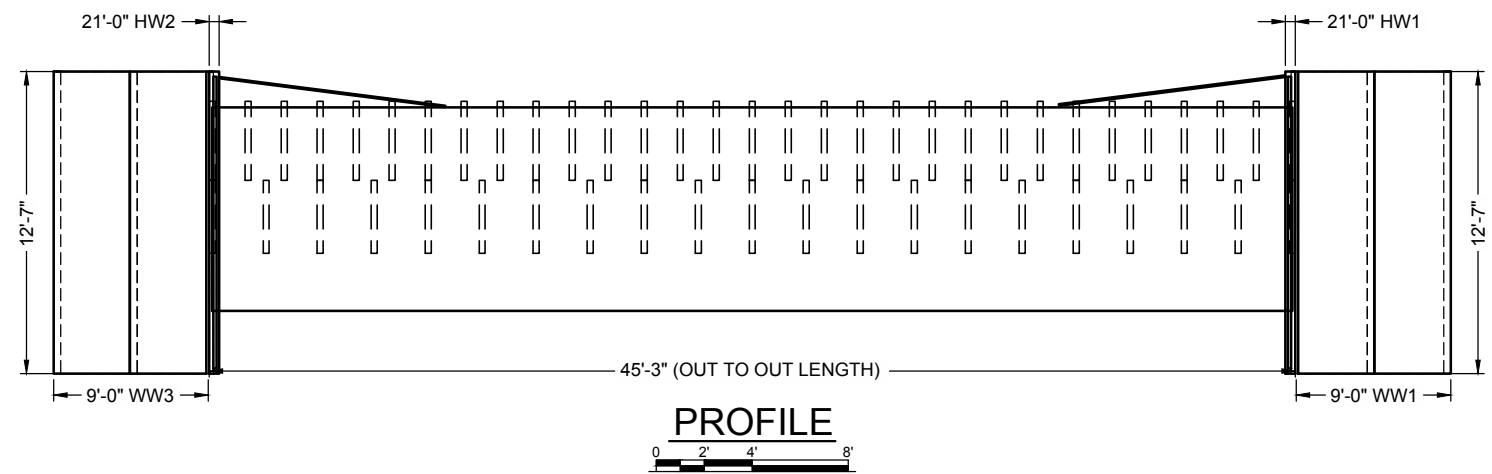
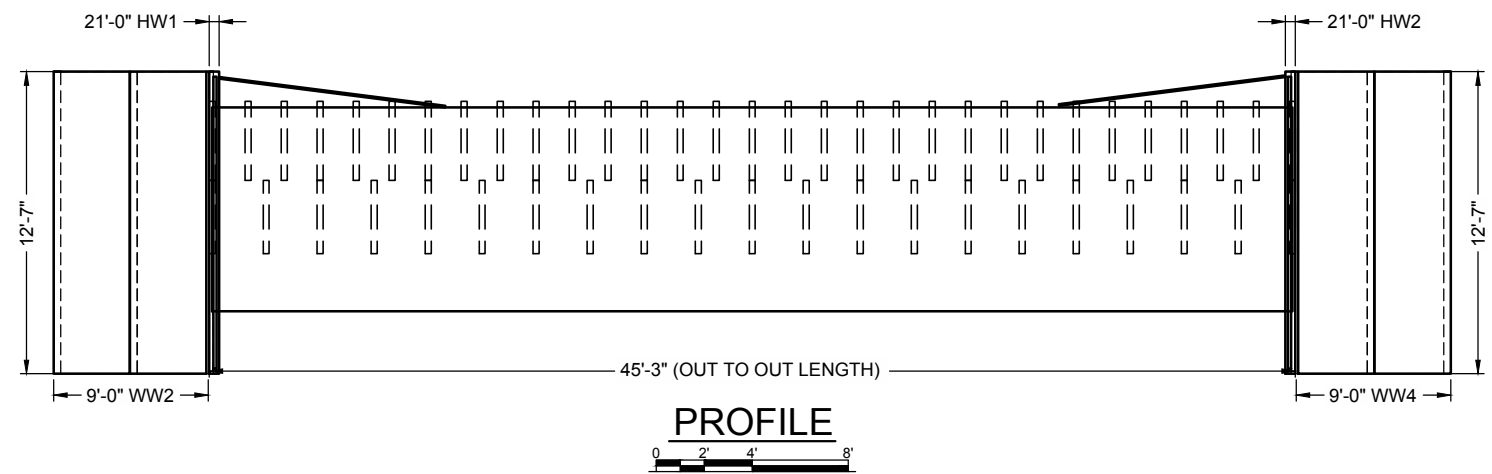
9025 Centre Pointe Dr., Suite 400, West Chester, OH 45069
800-338-1122 513-645-7000 513-645-7993 FAX

CONTECH
STRUCTURAL PLATE

DYOB
DRAWING

496182 - Livingston Township Building G UST Cover
Aluminum Box Culvert
16'-10" Span x 8'-3" Rise (Structure Number 39)
Ridgeland, Mississippi

PROJECT No.: 202387	SEQ. No.: ----	DATE: 2/12/2014
DESIGNED: DYOB	DRAWN: DYOB	
CHECKED: DYOB	APPROVED: DYOB	
SHEET NO.: 3 OF 5		



PRELIMINARY
NOT FOR CONSTRUCTION

C:\USER\BCT\WORK\APP\DATA\LOCAL\ITEM\PDYOB\202387.DWG 2/12/2014 9:25 AM

The design and information shown on this drawing is provided as a service to the project owner, engineer and contractor by Contech Engineered Solutions LLC ("Contech"). Neither this drawing, nor any part thereof, may be used, reproduced or modified in any manner without the prior written consent of Contech. Failure to comply is done at the user's own risk and Contech expressly disclaims any liability or responsibility for such use.

If discrepancies between the supplied information upon which the drawing is based and actual field conditions are encountered as site work progresses, these discrepancies must be reported to Contech immediately for re-evaluation of the design. Contech accepts no liability for designs based on missing, incomplete or inaccurate information supplied by others.

CONTECH
ENGINEERED SOLUTIONS LLC
www.ContechES.com

9025 Centre Pointe Dr., Suite 400, West Chester, OH 45069
800-338-1122 513-645-7000 513-645-7993 FAX

CONTECH
STRUCTURAL PLATE

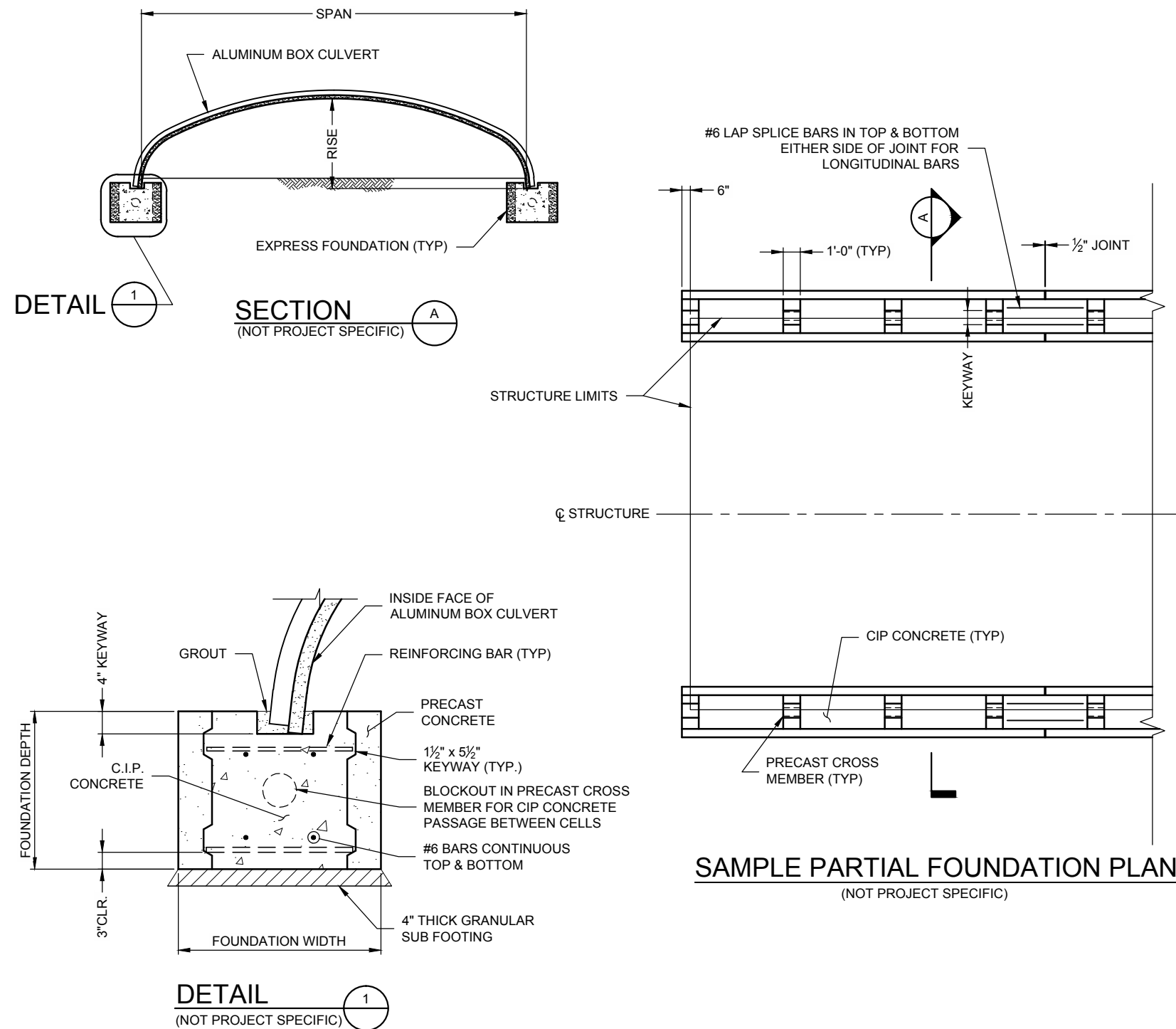
DYOB
DRAWING

496182 - Livingston Township Building G UST Cover
Aluminum Box Culvert
16'-10" Span x 8'-3" Rise (Structure Number 39)
Ridgeland, Mississippi

PROJECT No.: 202387	SEQ. No.: ----	DATE: 2/12/2014
DESIGNED: DYOB	DRAWN: DYOB	
CHECKED: DYOB	APPROVED: DYOB	
SHEET NO.: 4 OF 5		

SAMPLE DRAWING ONLY

EXPRESS FOUNDATIONS



PRELIMINARY
NOT FOR CONSTRUCTION

C:\USER\BCT\DRAWING\LOCAL\TEMP\DYOB202387.DWG 2/12/2014 9:25 AM

The design and information shown on this drawing is provided as a service to the project owner, engineer and contractor by Contech Engineered Solutions LLC ("Contech"). Neither this drawing, nor any part thereof, may be used, reproduced or modified in any manner without the prior written consent of Contech. Failure to comply is done at the user's own risk and Contech expressly disclaims any liability or responsibility for such use.

If discrepancies between the supplied information upon which the drawing is based and actual field conditions are encountered as site work progresses, these discrepancies must be reported to Contech immediately for re-evaluation of the design. Contech accepts no liability for designs based on missing, incomplete or inaccurate information supplied by others.

CONTECH
ENGINEERED SOLUTIONS LLC
www.ContechES.com

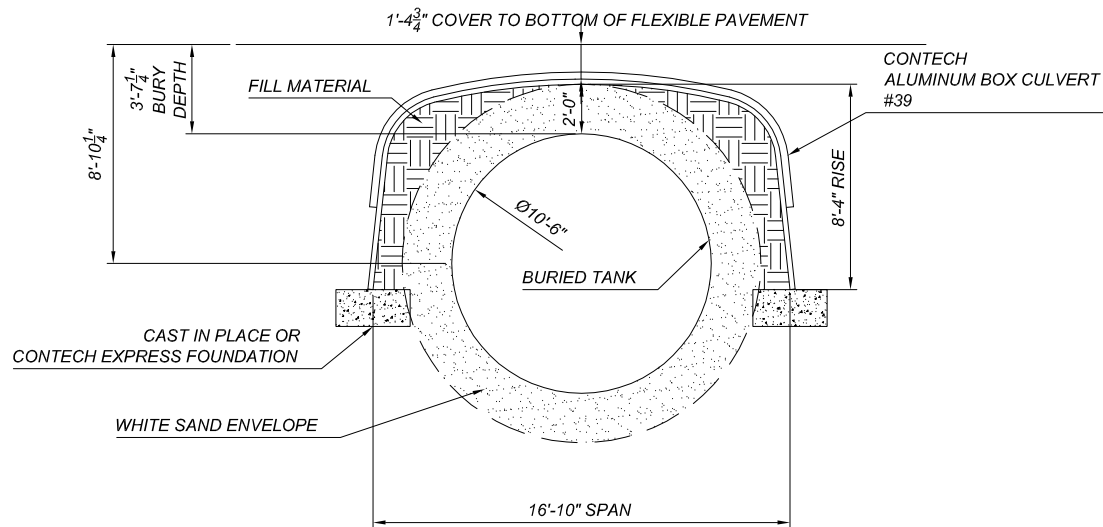
9025 Centre Pointe Dr., Suite 400, West Chester, OH 45069
800-338-1122 513-645-7000 513-645-7993 FAX

CONTECH
STRUCTURAL PLATE

DYOB
DRAWING

496182 - Livingston Township Building G UST Cover
Aluminum Box Culvert
16'-10" Span x 8'-3" Rise (Structure Number 39)
Ridgeland, Mississippi

PROJECT No.: 202387	SEQ. No.: ----	DATE: 2/12/2014
DESIGNED: DYOB	DRAWN: DYOB	
CHECKED: DYOB	APPROVED: DYOB	
SHEET No.: 5 of 5		



PRELIMINARY:
NOT FOR CONSTRUCTION

CONTECH Bridge Solutions Inc. - System:

NOTICE
© 2006, The design and information shown on this drawing is provided as a service to the project owner, engineer and contractor by CONTECH Bridge Solutions Inc. No part of this drawing may be used, reproduced, or modified in any manner without the prior written authorization of CONTECH Bridge Solutions Inc. Any such use, reproduction, or modification of this drawing is done at the user's own risk and the user agrees to indemnify, defend and hold harmless CONTECH Bridge Solutions Inc. from and against any and all claims, liability, and expense, including, but not limited to, reasonable attorney's fees, arising from such use, reproduction or modification.
If discrepancies between the supplied information and actual field conditions are encountered as site work progresses, these discrepancies must be reported to CONTECH Bridge Solutions Inc., immediately for re-evaluation of the design. CONTECH Bridge Solutions Inc. accepts no liability for designs based on inaccurate information supplied by others.

Company:
CONTECH Bridge Solutions Inc.
Regional Engineering Services
8210 University Executive Park Dr.
Suite 240
Charlotte, North Carolina 28262
704-548-8420
704-548-8586 fax
800-526-3999



RIDGELAND MS
**LIVINGSTON TOWNSHIP
BUILDING G
BURIED TANK CROSSING
PROPOSED SECTION**

Des. By: N/A	Project No. 496182
Drawn By: REC	Sheet No.
Chk'd By: N/A	1/1
Date: 2-10-14	

February 12th, 2014

Project: 496182 - Livingston Township Building G – Ridgeland, MS

As requested, the following is an Aluminum Box Culvert Engineer's *cost estimate* for the above referenced project. This ESTIMATE is intended for preliminary estimating purposes only and should **not** be interpreted as a final *quotation*.

CONTECH will fabricate and deliver the following described Aluminum Box Culvert components and appurtenances:

DESCRIPTION OF SUPPLIED MATERIALS:

- 45 LF of CONTECH Aluminum Box Culvert #39B6
 - 16'-10" Span X 8'-3" Rise
 - Estimate is Based on HS20 Live Load, 1.4 Ft. Min Cover, 1.4 Ft. Design Cover
 - Pricing Includes Custom Reinforced Openings for Manholes / Misc. Items.
- OPTIONAL Aluminum Headwall and Wingwall Package Including:
 - 2 EA – 1'-6" Tall Aluminum Headwalls
 - 4 EA – 9'-0" Long Aluminum Wingwalls
- Plate Layout Drawings
- On-Site Consultation During Installation
- Freight for Plate Materials

ESTIMATE – ALUMINUM ARCH ONLY - \$ 36,800.00 Delivered (F.O.B. Winchester, KY)

ESTIMATE – ALUMINUM HEADWALLS AND WINGWALLS - \$ 14,760.00 Delivered (F.O.B. Winchester, KY)

DESCRIPTION OF OPTIONAL DESIGN SERVICES:

- Design of Cast in Place Foundations for Aluminum Box Culvert
 - Geotechnical Data to be Provided by Owner
 - Design will be Signed and Sealed by Professional Engineer Licensed in Mississippi

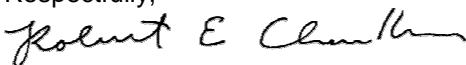
ESTIMATE – \$ 1,500.00

These costs do not include the foundation, or installation costs. As part of the construction process, the contractor is to perform the items listed below in accordance with the installation drawings:

- Construct Cast-In-Place Foundations and Headwalls as Required
- Receive and Unload Materials
- Assemble Plate
- Excavate and Backfill the Structure

Please contact me at 615-221-1170 should you have any questions or need additional information. Thank you for your interest in the Aluminum Box Culvert System.

Respectfully,



Robert Chandler, E.I.T.
Inside Bridge Consultant